

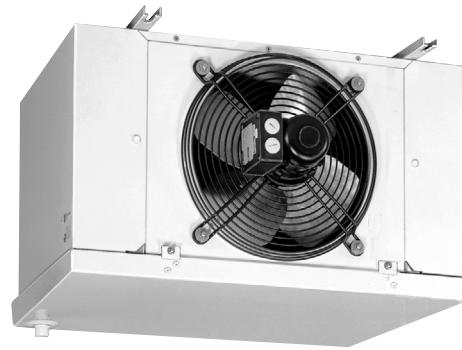


# YORK Marine provisions plants

## Quick-Install® unit coolers

### General

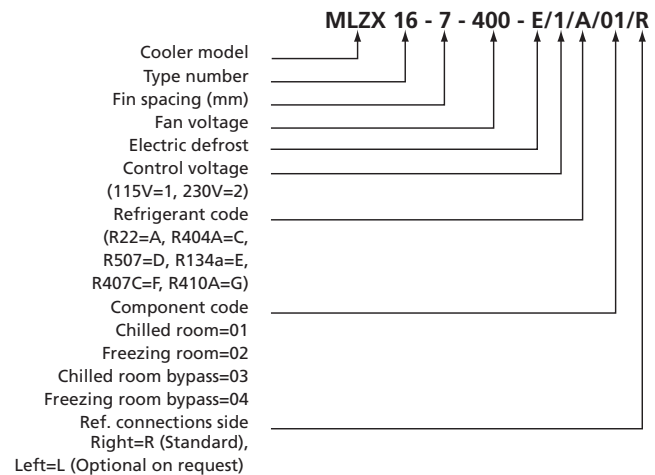
The MLZX range of Quick-Install® unit coolers, designed by YORK/Helpman, consists of 6 basic models. All models are equipped with pre-installed refrigeration components. The standard fin spacing is 7 mm, with one fan drawing through the coil. The temperature application area is between +10 °C and -40 °C. The capacity range is 1–8 kW.



### Features

- Capacities 1–8 kW
- Coil: copper Ripple Fin tubing with aluminium fins. Fin thickness 0.35 mm. Tube diameter 1/2", tube wall thickness 0.40 mm. Tube centres 38 x 38 mm square pitch. Coils are pressure tested with dry air at 25 bar
- Draw-through design Longer air throw
- Equipped with valve board suitable for a wide range of refrigerants, including R22, R404A, R507, R134a, R407C and R410A
- Durable aluminium casing, white epoxy coated RAL 9003
- Models up to MLZX 8 fitted with hinged interchangeable side plates for easy access, MLZX 14 and MLZX 16 with easily removable side plates
- All models are fitted with a hinged drip-tray for easy access and cleaning
- Coolers for freezing room with electric defrost elements in coils and drip-trays
- Drain heating cable is included and is to be connected to the junction box
- Klixon for defrost is pre-installed
- All electrical wiring is led to the junction box
- Equipped with Schrader valve on the suction connection for testing purposes
- Stickers indicate fan direction and refrigerant in/out
- Heavy-duty packing in boxes.

### Type indication



### Fans and fan motors

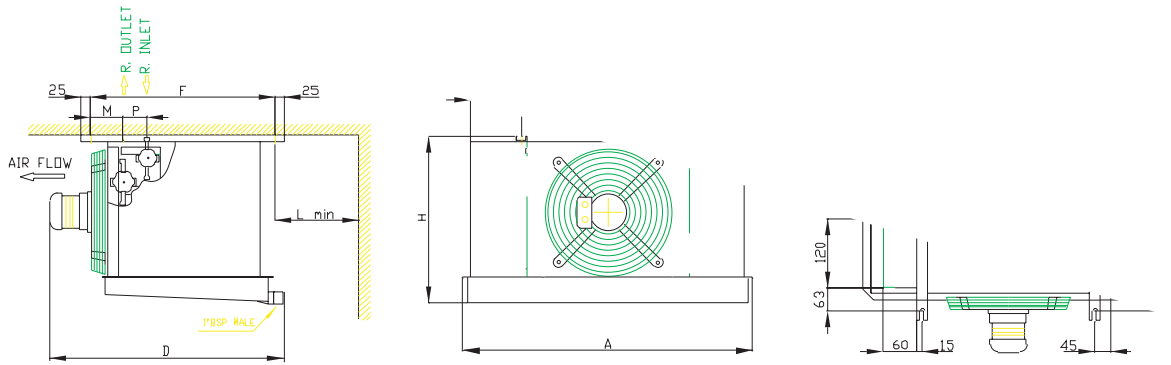
Fans with aluminium fan blades fitted with robust epoxy coated fan guards in anti-vibration mounting. Enclosed design fan motors, protection class IP55.

Every motor has a terminal box with two cable inlets Pg. 13.5.

### Heavy-duty electric defrost

Stainless steel heater elements placed in extra tubes between the evaporator tubes. Each drip-tray heating element is fitted to the bottom of the inner tray.

The elements are similar both for the coil and for the drip-tray. All elements can be withdrawn on the refrigerant connection side. The drip-tray elements can be taken out after removal of the outer tray. The pre-wired heater elements are connected into the terminal box.



## Dimensions/connections

Cooler Type	Dimensions mm										Cooler1) weight kg	Coil surface m <sup>2</sup>	Init. vol. dm <sup>3</sup>	Refrigeration inlet O.D.F.	Connections Suction O.D.F. Cooling - Freezing	Shipping vol.m <sup>3</sup>
	A	B	D	F	H	K	L	M	P							
MLZX 2	790	472	630	503	450	440	300	88	64	23	5.1	2.0	3/8"	7/8" - 7/8"	0.3	
MLZX 4	790	472	630	503	450	440	300	88	64	27	6.7	3.0	3/8"	7/8" - 7/8"	0.3	
MLZX 6	790	472	630	503	450	440	300	88	64	32	10.1	4.0	3/8"	7/8" - 7/8"	0.3	
MLZX 8	920	602	640	503	525	570	350	98	60	43	15.7	6.0	3/8"	1 1/8" - 1 1/8"	0.6	
MLZX 14	1010	962	670	520	620	660	400	100	60	55	21.2	8.0	3/8"	1 1/8" - 1 1/8"	0.6	
MLZX 16	1110	792	720	520	700	760	450	100	60	70	27.9	10.4	3/8"	1 1/8" - 1 3/8"	0.8	

Cooler type	Quantity	Diameter mm	Air volume m <sup>3</sup> /h	Air throw2) m	Sound level3) dB(A)	Fan power, absorbed	
						400/3/50 Hz (W)	440/3/60 Hz (W)
MLZX 2	1	305	1670	14	50	100	100
MLZX 4	1	305	1570	14	50	100	100
MLZX 6	1	305	1500	14	50	100	100
MLZX 8	1	356	2620	18	53	145	145
MLZX 14	1	406	3540	18	57	215	215
MLZX 16	1	457	4660	24	60	400	400

Cooler type	Quantity of elements		Defrost power 400/3/50		Defrost Power 440/3/60	
	Coil	Drip-tray	kW	Amp	kW	Amp
MLZX 2	1	2	1.65	2.39	2.01	2.64
MLZX 4	1	2	1.65	2.39	2.01	2.64
MLZX 6	2	1	1.65	2.39	2.01	2.64
MLZX 8	4	2	4.25	6.16	5.18	6.79
MLZX 14	4	2	4.90	7.10	5.97	7.82
MLZX 16	4	2	5.62	8.14	6.85	8.98

The above technical information is subject to reservations of errors and updated product changes.



**Johnson Controls Marine - HVAC&R**  
 Jens Juuls Vej 28 · 8260 Viby J · Denmark  
 Phone +45 87 36 35 00 · Fax +45 87 36 35 01  
 www.johnsoncontrols.com · cg-eur-dk-vibymarine@jci.com