



Exchange & Factory Overhaul

Screw compressor program

Exchange

Use the advantages of our exchange program to reduce downtime and plan for service at an operational convenient time.

We deliver an exchange compressor block of the same type as the existing compressor already installed at your plant. Following the installation, the replaced compressor is to be returned to Johnson Controls Marine in order to enter the exchange program.

Exchange of screw compressors is available at three levels: New, Rebuilt and Refurbished.

New

New compressor.

Rebuilt

Second-hand compressor that has been overhauled with needed new and/or rebuilt parts.

Refurbished

Second-hand compressor that has been overhauled with the existing parts.

Benefits when using the exchange compressor program

- Downtime period is reduced when your compressor block is due for overhaul
- Overhaul cost surprises are avoided
- The compressor block is exchanged at the most convenient time for your operation
- New bearings, shaft seal and gaskets
- A general pressure test to 25 bar is carried out on all exchange blocks
- The exchange block is leak tested, sandblasted, repainted, evacuated and charged with protective gas before stocking
- Test runs are carried out on almost all block types in the exchange compressor program
- Necessary gaskets or o-rings for main connections between block and unit/plant are included



Compressor types available

Most Sabroe, Stal & Frick compressors are available. Please have the unit's serial number available when inquiring for a specific model.

Workshop report & certificates

On request we can offer you a full workshop report with pictures as well as certificates on test runs and pressure tests.

Upgraded

For Sabroe compressor blocks especially there are several possibilities to have older block types upgraded with newer parts.

Guarantee

A 12 months guarantee from shipping date is granted for marine applications – ex works Hoejbjerg, Denmark.

Please note that the exchange program has been worked out as an alternative to the factory overhaul programme and is not meant for breakdown situations.

Factory overhaul

To avoid unpleasant surprises we recommend that the experienced staff of Johnson Controls Marine overhaul your compressor in one of the Johnson Controls highly qualified compressor service centres.

The factory overhaul includes

Compressors returned to our workshop will upon receipt be sandblasted, dismantled and our experts will clean the compressor and assess the best possible action to be taken in each individual case.

Work included

Inspection of:

- Housing, rotors, and when applicable, suction throttle and/or suction non-return valves
- Pressure and temperature sensors, when applicable
- Discharge ports, capacity and volume regulating slides
- Suction filter and cleaning, when applicable
- Position transmitter and functional test, when applicable
- Oil flow switch and functional test, when applicable

Replacement of:

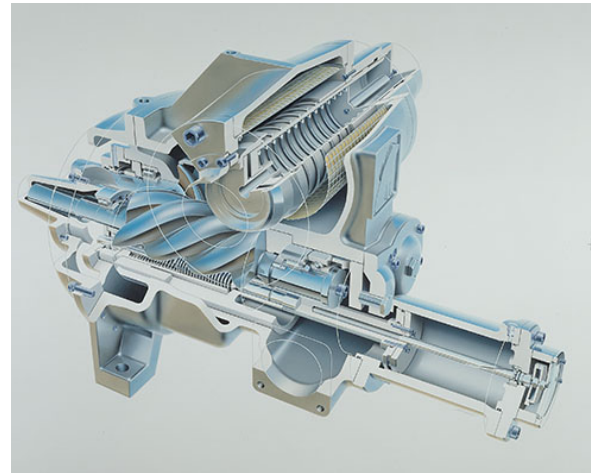
- Axial and radial bearing elements
- Shaft seal
- Necessary o-rings, gaskets, seals and securing bolts
- Integrated oil filter cartridge, when applicable

Test:

- Functional test of the capacity and VI slide
- Leak test
- Test run, if possible (note: not available for all compressor types)

Delivered:

- With blinding of all connections, evacuation of the block and charging with protective gas.
- With a complete set of gaskets for re-installation of the block on site
- Repainted



The price of a factory overhaul is a fixed price including labour costs and parts according to specifications described in the description work included.

Compressor types

Sabroe, Stal & Frick compressors can be overhauled. Please have the unit's serial number available at any inquiry.

Workshop report & certificates

We can offer you a full workshop report with pictures on request. Certificates on test runs and pressure tests can also be delivered on request.

Upgraded

On request your compressor can be upgraded with the latest design for the specific compressor block type and/or version. Please inquire for options and prices.

Delivery time

Generally the overhauled compressor block will be ready for shipment within 10 working days after receipt.

Guarantee

A 6 month guarantee from shipping date is granted– ex works.